

## 14Mbps HomePlug™ Ethernet Bridge

The GigaFast HomePlug Ethernet Bridge operates on the HomePlug Powerline Specification 1.0 standard, providing up to 14Mbps bandwidth over home AC wiring. Since the home powerlines are the most pervasive medium in households with multiple outlets in every room, the HomePlug Ethernet Bridge allows multiple home desktops and notebooks to be networked, to share Internet connections, printers, files, and play games without any additional wiring.

The installation of the Ethernet Bridge only requires that a 10/100Mbps Network Adapter is installed on the computer. This makes the HomePlug Ethernet Bridge compatible with any device including Mac, Windows, and Unix machines.

For security, all GigaFast HomePlug devices are equipped with 56-bit DES encryption. The private home power grid plus encryption makes HomePlug significantly more secure than competing technologies.

The GigaFast HomePlug Ethernet Bridge is the best solution for No-New-Wires home networking. With easy Plug and Play installation, no need for new wires, and the reliability of GigaFast Ethernet's products, the GigaFast HomePlug Ethernet Bridge is the best solution for high speed networking.



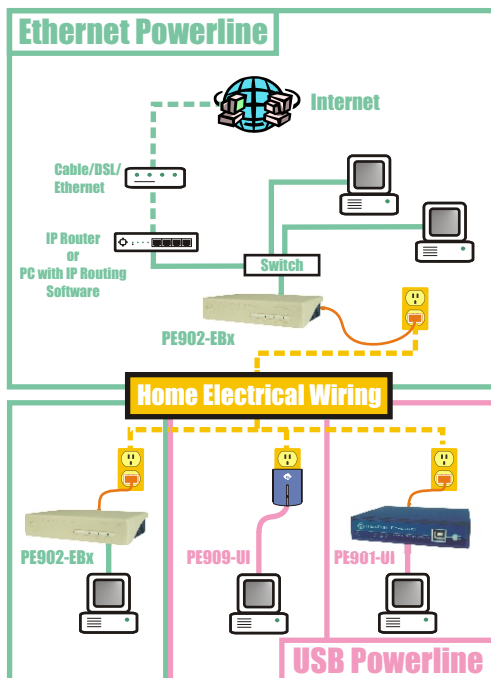
### Functions:



### Features:

- Up to 14Mbps bandwidth over standard home power lines
- Estimated range of 300m in wall power lines

### Usage Diagram:



### Specifications:

#### Computer Interface

- IEEE802.3

#### Network Interface

- HomePlug Powerline

#### Cabling

- 10Base-T: Cat. 3, 4, or 5 UTP Cable

#### Installation

- Plug-and-Play

#### LED Indicators

- PWR (Power) HP (Powerline Activity) ETH (Ethernet Activity),

#### Certifications

- HomePlug Powerline Specification 1.0

#### Power Supply

- Internal Power Adapter

#### Operating Temperature

- 0°C ~ 40°C

#### Humidity

- 5% ~ 90%

#### Housing

- Plastic

#### Dimensions

- 4.5 x 3.0 x 1.0 inches

#### HomePlug Configuration Utility Support

- Microsoft Windows 98 SE, ME, 2000 and XP

#### Warranty

- 3 years Limited & Free Technical Support (US Only)