

HomePlug AV (200Mbps) > 36-watt Wall-Mount Ethernet Power Supply

With GigaFast HomePlug AV 36-watt Wall-Mount Ethernet Power Supply, you can instantly turn an Ethernet device such as a set top box, router, or IP camera, into a HomePlug Powerline network device. Once this PE928-PLA is on the Powerline network, you no longer have to pull long Ethernet cables from one device to another. Now the network content is being transferred through home electrical power lines. This PE928-PLA operates on HomePlug AV standard, providing up to 200Mbps bandwidth over home AC wiring. Another distinguished feature of this PE928-PLA is that it has a built-in power supply which provides electrical power to your Ethernet device using an Y cable. This feature eliminates the need for an extra power supply and at the same time saves an electrical socket space.

Like all of our HomePlug AV products, this PE928-PLA is equipped with 128-bit AES security encryption. Combining the private home power grid and the 128-bit AES security encryption, this PE928-PLA is extremely secure compared to other technologies such as WiFi network.



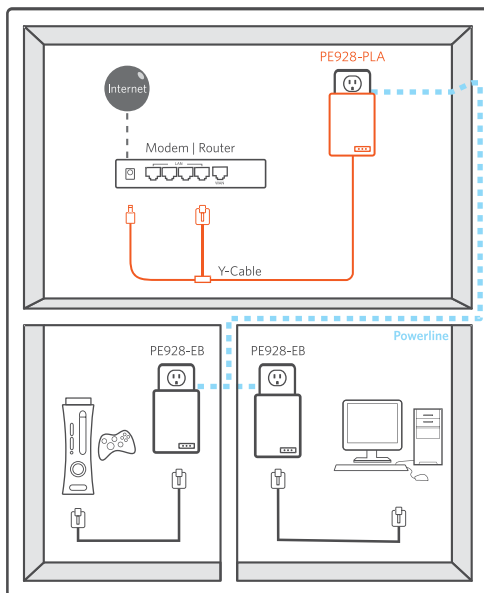
Features

- Use with HD/SD set top boxes, gaming, VoIP, IP camera, and audio players
- 36-watt Y-Cable provides DC Power to a connected device through a designated Ethernet port
- DC 12V power output level
- Security push button for software free configuration

Specifications

Main Chipset	Qualcomm AR6400
Computer Interface	IEEE802.3 IEEE802.3u
Standards	HomePlug AV
Network Interface	One RJ-45 (10/100Base-T Ethernet) One 200Mbps power line port supporting co-existence with HomePlug 1.0 (14/85mbps)
Security	128-bit AES link encryption with key management
Data PHY Rate	200 Mbps over Powerline and 10/100Mbps over Ethernet
Modulation Schemes	OFDM symbol modulation on line synchronization 1024/256/64/16/8 - QAM, QPSK, BPSK, ROBO carrier modulation
Frequency Band	2 ~ 28 Mhz
Additional Protocols	Mix of TDMA and CSMA/CA channel access scheme; CO device generates a periodic beacon carrier for channel access scheme
Operation Range	Estimated range of 300 meters in wall power lines
Cabling	100Base-T Cat. 5 UTP cable
Operating Temperature	0°C to 40°C ambient temperature
Storage Temperature	-20°C to 70°C ambient temperature
Humidity	10 to 90% maximum (non-condensing)
Power Input	100 ~ 240V @ 50/60Hz internal
DC Power Output	

Application



	36W
Output Voltage	12V
Max Current	3A

*configurable to customer specifications

Power Connector	AC power cord in US / UK / EU / AU specifications
Housing	Plastic (98mm x 71mm x 34mm)
Software Utility	Device detect/diagnostic, NEK password setup for local and remote device Windows 98 SE, ME, 2000, NT, XP, Vista, or 7 for initial setup (optional)
Status Lights	Power: on / off ; PLC link: red / orange / green / off Ethernet link: solid /blinking / off PLA link: solid / blinking / off
Certifications	HomePlug AV Powerline certification FCC Class B / CE mark

